

CROSSOVER[®]

by Wascomat

In a class by itself – *The world's first small chassis stacked washer & dryer combo engineered to commercial laundry standards.*

PROFESSIONAL SPECIFICATIONS

Serving the Multi-housing and Coin Laundry markets, Crossover Series stacked washer/dryer meet business demands with durability, energy savings and customer satisfaction.

FEATURES AND BENEFITS

- ✓ 15,000+ cycle machine life design
- ✓ Large high security coin vault
- ✓ 4 professional wash programs, + 2 cycle options
- ✓ Field adjustable water levels + cycle
- ✓ Top quality SKF bearings in heavy duty assembly
- ✓ 3 seals (with 5 lips) protect bearings
- ✓ AC motor (no brushes)
- ✓ Professional 8-point suspension & Pump Drain Standard
- ✓ Solid steel counterweights—no concrete
- ✓ Commercial grade construction
- ✓ 22+ lb capacity and 7 1/2 cu ft drum
- ✓ Stainless steel non-removable lint screen
- ✓ Roller supported tumbler
- ✓ Tapered sealed ribs bring load forward improving dryer performance

BEST CUSTOMER EXPERIENCE

- ✓ Superior oversuds and unbalance tolerance
- ✓ Extra large door opening for easy loading and unloading
- ✓ Heavy-duty door hinge
- ✓ High speed 300G maximum extraction
- ✓ Simple, easy to use operation
- ✓ Axial airflow ensures the shortest drying time
- ✓ Easy clean lint screen
- ✓ Large capacity tumbler can handle oversized loads

MARKET READY DESIGN

- ✓ Coin and card payment compatibility
- ✓ 3 compartment soap drawer
- ✓ 27" width for easy plug-in top-loader replacement
- ✓ Soft-mount technology for easy installation on any floor
- ✓ Space saving, stack washer/dryer can be installed in the same footprint as a stand alone washer



MODEL NOS:

METERED—GAS
Model No. WDSGM

CARD READY—GAS
Model No. WDSGC

METERED—ELECTRIC
Model No. WDSEM

CARD READY—ELECTRIC
Model No. WDSEC

Laundrylux[®]

866.580.1010 ✓ laundrylux.com

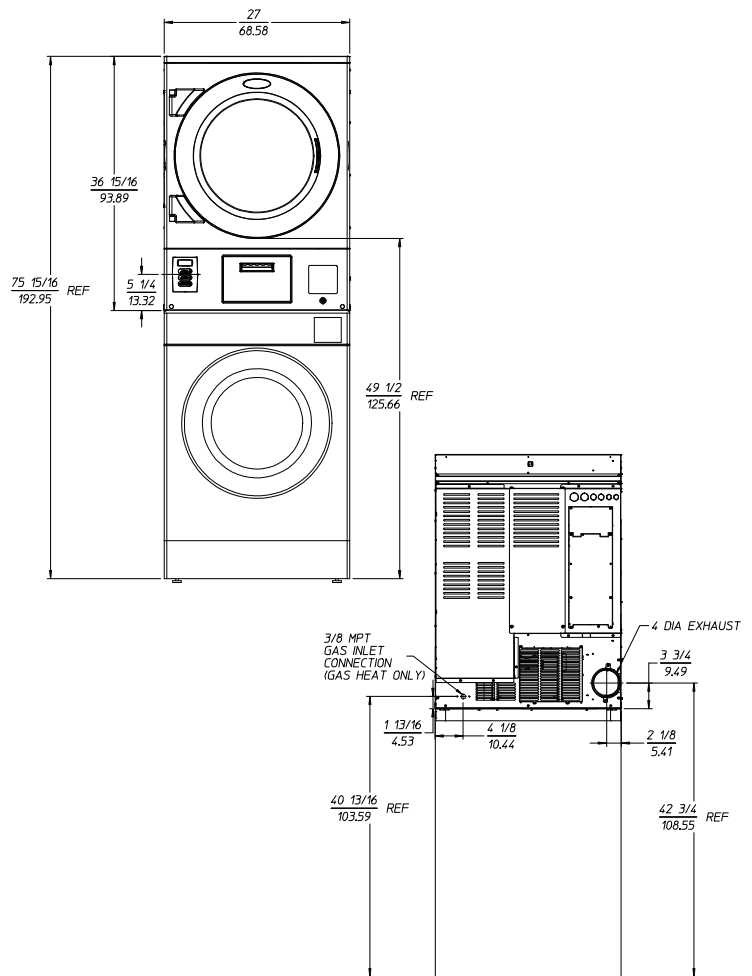


CEE TIER III
COMPLIANT

CROSSOVER STACKED WASHER/DRYER

CROSSOVER STACK WASHER/DRYER SPECIFICATIONS

Model No.	Metered/Card Ready - Gas - WDSGM / WDSGC
Model No.	Metered/Card Ready - Electric - WDSEM / WDSEC
Motor	1/3 HP
To run washer/dryer stack	2x15A for Washer/ Gas Dryer 15A + 30A for Washer/ Electric Dryer
Dryer Electrical (Gas)	120V/60Hz/1-phase
Dryer Electrical (Electric)	208-240V/60Hz/1-phase
Dryer Breaker/Fuse Req.	15A for Gas / 30A for Electric
Washer Electrical	120V/60Hz/1-phase
Washer Breaker Req.	15A
Washer Cylinder Volume	3 1/2 cu ft (98 liters)
Dryer Cylinder Volume	7 1/2 cu ft (212.4 liters)
Washer Cylinder Diameter	21 5/8 in (550 mm)
Dryer Cylinder Diameter	25 3/4 in (654 mm)
Dryer Cylinder Depth	24 in (609 mm)
Wash Capacity	22 lbs (10kg)
Capacity (Dry Weight)	22 lbs (10KG)
Washer Door Opening	15 in (380 mm)
Dryer Door Opening	17 1/4 in (438 mm)
Airflow (Gas & Electric)	220 cfm
Electric Heating (240VAC)	5.4 kW
Gas Heating	26,000 Btu/hr (6,550 kcal/hr)
Gas Connection	3/8 in MNPT
Wash Speed	45 RPM
Tumbling Speed	50 rpm
Exhaust Connection	4 in Dia.
Overall Dimensions	W D H: 27 1/8 x 31 3/4 x 77 1/2 in
Overall Dimensions	W D H: 686 x 807 x 1968 mm
Approximate Net Weight	Dryer - 176 lbs Washer - 299 lbs (Total 475 lbs)



Refer installation and servicing to qualified, licensed personnel. Always read Installation and Operating Manuals and consult local codes before installation. Protect machines with properly rated circuit breakers ONLY. Warranty void if not properly installed. Specifications subject to change without notice. Laundrylux assumes no responsibility for errors or omissions in this information.

*NOTE: the correct measurement of extraction efficiency is G-force, not RPM. A higher RPM does not mean greater extraction, which depends on cylinder diameter.

Laundrylux®

866.580.1010 ✓ laundrylux.com

Laundrylux • 461 Doughty Blvd., Inwood, NY 11096
 Sales and Administration Tel: 516-371-4400 • Fax: 516-371-4204 • sales@laundrylux.com
 Spare Parts Tel: 516-371-2000 • Fax: 516-371-4029 • parts@laundrylux.com
 Technical Support – Tel: 516-371-0700 • Fax: 516-371-4029 • service@laundrylux.com
 En Mexico: Llame gratis a este numero 001-800-010-1010

Laundrylux offers a complete line of Electrolux Professional and Wascomat Commercial Laundry equipment.